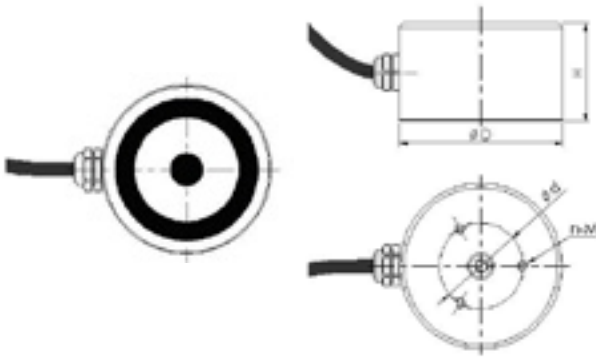


EPML-R

Product Pictures



The Brief Drawing



Application

- EPML-R series is modular single unit for lifting thin steel sheet.
- Multiple EPML-R could be designed to suit complex lifting situation.

Features

- Remote switching facility-the controller can be interfaced to a PLC or operated by remote switches .
- Different pole shoes could be choose according to shap and dimensions of workpiece.
- Electrical power is only required when cycling from Magnetization to Demagnetization.
- Cycle time is 1~3 seconds depending on the size of the system.
- No heat is generated since the power is not constantly applied.
- Variable magnetic power for the handling of thin sheets of steel.



SPECIFICATIONS

| MODEL | HOLDING FORCE(KG) | DIMENSIONS(MM) | | | | | WEIGHT (KG) | MAGNETIC DEPTH(MM) |
|-----------|-------------------|----------------|-----|-----|----|---|-------------|--------------------|
| | | D | D | H | M | N | | |
| EPMLR-75 | 90 | 78 | 40 | 46 | 6 | 3 | 1.5 | 12 |
| EPMLR-100 | 150 | 100 | 40 | 55 | 6 | 3 | 3.5 | 14 |
| EPMLR-125 | 250 | 125 | 80 | 65 | 8 | 3 | 6.0 | 20 |
| EPMLR-150 | 320 | 158 | 80 | 70 | 10 | 3 | 9.5 | 20 |
| EPMLR-210 | 900 | 218 | 150 | 80 | 12 | 3 | 20.5 | 35 |
| EPMLR-270 | 1400 | 272 | 180 | 100 | 16 | 3 | 38.5 | 45 |
| EPMLR-320 | 2000 | 324 | 250 | 125 | 20 | 3 | 69.5 | 55 |

Other size on request