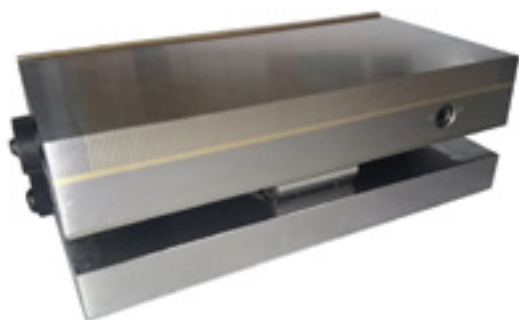


# MCS series

## Product Pictures



## Description

- Single sine permanent magnetic chuck
- Positive locking at all angles without any distortion

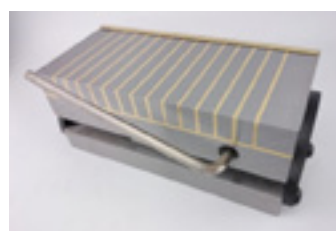
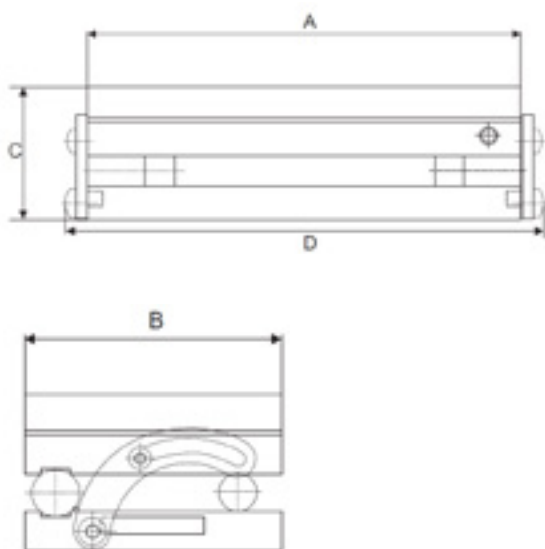
## Application

- Ideal for high accuracy grinding operations
- Suitable for small workpieces

## Features

- Holding force: 80 N/cm<sup>2</sup>
- High adjustment accuracy, no flatness change when switch On/Off
- Pole pitch: 0.5+1.5mm(3+12 pole pitch could also be available for heavy duty grinding)
- Made by hardened alloy tool steel
- Strong suction, small remanent magnetization, uniform magnetic force distribution
- Large effective machining area
- Angle precision 0.007/100mm, low height for more wheel clearance

## The Brief Drawing



- MCS chuck with PMM magnetic plate

## SPECIFICATIONS

MODEL	DIMENSIONS (MM)				WEIGHT (KG)	POLE PITCH (MM)	OPERATING ANGLE
	A	B	C	D			
MCS1018	180	104	100	215	10.5	0.5+1.5	0°-50°
MCS1025	250	104	100	285	15	0.5+1.5	0°-50°
MCS1225	250	120	100	285	17	0.5+1.5	0°-50°
MCS1530	300	150	100	335	25	0.5+1.5	0°-50°
MCS1545	450	150	110	380	37	0.5+1.5	0°-50°
MCS2040	400	200	110	435	44	0.5+1.5	0°-50°
MCS2050	500	200	110	535	55	0.5+1.5	0°-50°

Other size on request