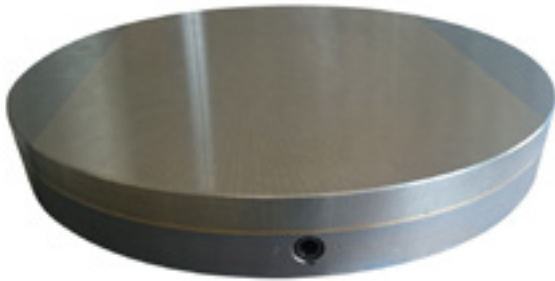


RMC series

Product Pictures



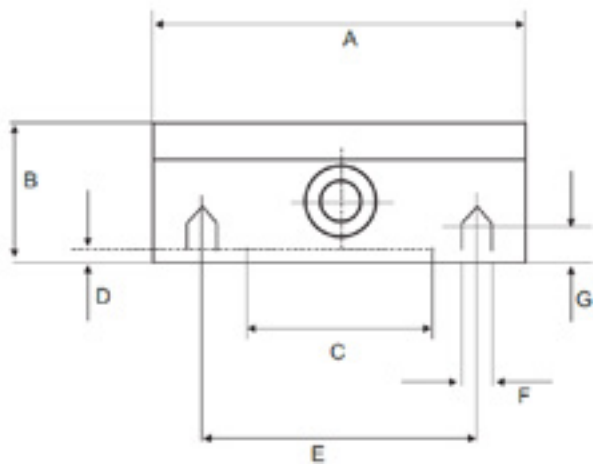
Description

- Micro pole round permanent magnetic chuck

Application

- For heavy cutting and carbon alloy process
- Best for small and thin workpieces with medium size

The Brief Drawing



Features

- Extremely low height due to NdFeB magnets
- With coolant and water proof structure
- Can be switched ON or OFF by hand lever
- Nominal holding force: 80 N/cm²
- Magnetic field depth: 8mm
- Pole plate wearing limit: 5mm
- Pole pitch: steel 1.5mm, brass 0.5mm

SPECIFICATIONS

MODEL	DIMENSIONS (MM)							WEIGHT (KG)	POLE PITCH (MM)
	A	B	C	D	E	F	G		
RMC100	100	51	65	2	85	3xM8	14	3.5	0.5+1.5
RMC160	160	51	125	2	140	4xM8	14	9	0.5+1.5
RMC200	200	51	160	2	180	4xM8	14	14	0.5+1.5
RMC250	250	51	200	2	224	4 xM10	14	22	0.5+1.5
RMC300	300	51	230	3	260	4 xM10	14	31	0.5+1.5
RMC350	350	51	300	4	330	4 xM10	16	60	0.5+1.5
RMC400	400	51	300	4	350	6 xM10	16	75	0.5+1.5

Other size on request