

RMF series

Product Pictures



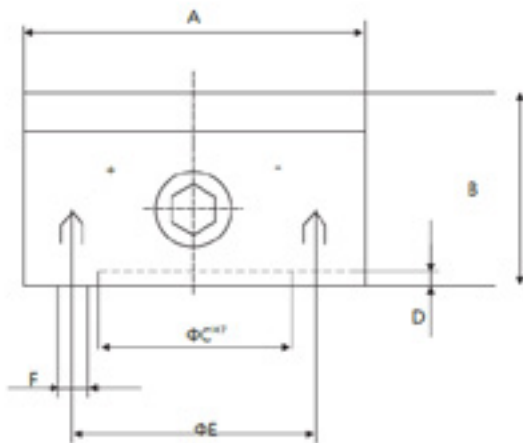
Description

- Fine pole round permanent magnetic chuck

Application

- Best for small and thin workpieces with medium size

The Brief Drawing



Features

- Extremely low height due to NdFeB magnets
- With coolant and water proof structure
- Can be switched ON or OFF by hand lever
- Nominal holding force: 90 N/cm²
- Magnetic field depth: 8mm
- Pole plate wearing limit: 5mm
- Pole pitch: steel 3mm, brass 1mm

SPECIFICATIONS

MODEL	DIMENSIONS (MM)						WEIGHT (KG)	POLE PITCH (MM)
	A	B	C	D	E	F		
RMF100	100	51	80	2	88	M6(4x)	3.5	1+3
RMF160	160	51	125	2	140	M8(4x)	7.5	1+3
RMF200	200	51	160	2	180	M10(4x)	12	1+3
RMF250	250	51	200	2	224	M10(4x)	18	1+3
RMF300	300	51	250	2	280	M10(4x)	28	1+3
RMF350	350	51	280	2	310	M10(4x)	43	1+3
RMF400	400	51	315	2	355	M10(4x)	52	1+3

Other size on request